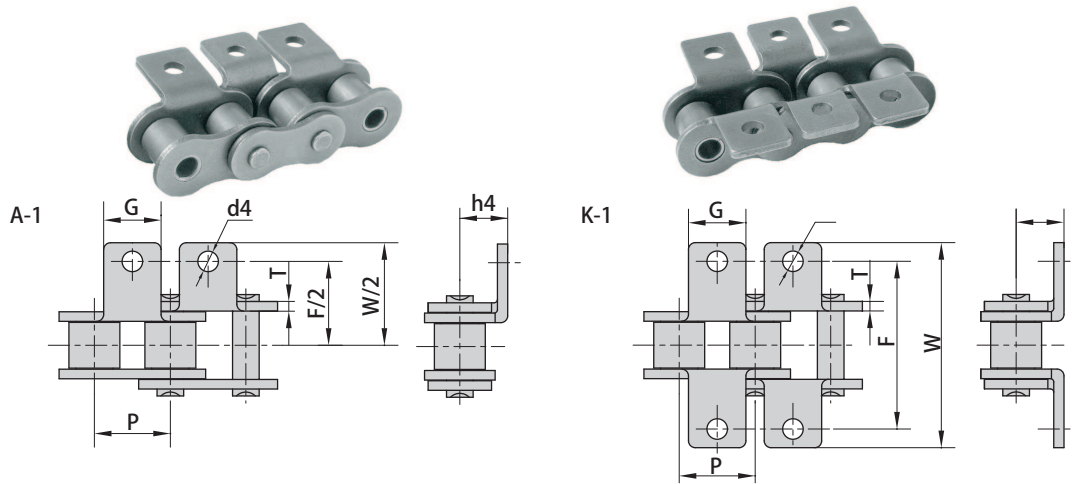
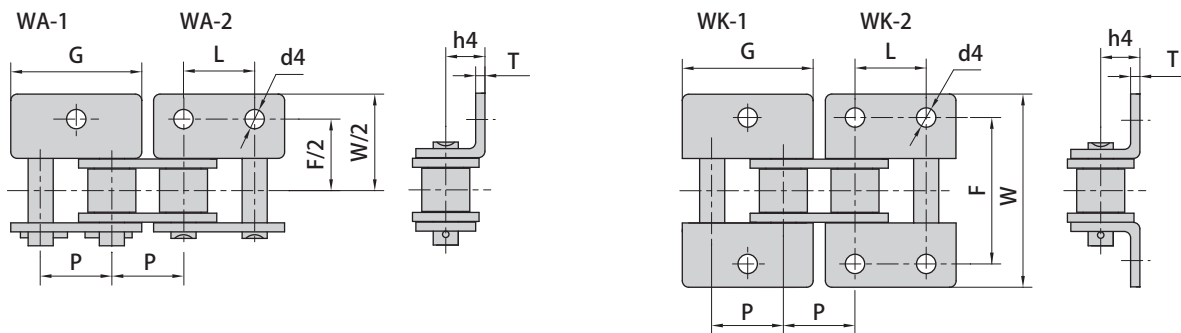


Stainless steel short pitch conveyor chain attachments



Donghua Chain No.	P	G	F	W	T	h4	d4
	mm	mm	mm	mm	mm	mm	mm
08ASS	12.700	9.5	25.40	35.2	1.50	7.90	3.4
10ASS	15.875	12.7	31.75	46.2	2.03	10.30	5.5
12ASS	19.050	15.9	38.10	55.6	2.42	11.90	5.5
16ASS	25.400	19.1	50.80	64.8	3.25	15.90	6.8
20ASS	31.750	25.4	63.50	89.8	4.00	19.80	9.2
08BSS	12.700	9.5	25.40	36.4	1.60	8.90	4.5
10BSS	15.875	14.3	31.75	44.6	1.70	10.31	5.3
12BSS	19.050	16.0	38.10	52.4	1.85	13.46	6.4
16BSS	25.400	19.1	50.80	72.6	3.10	15.88	6.4
20BSS	31.750	35.0	63.50	100.5	3.50	19.80	9.0



Donghua Chain No.	P	G	L	F	W	T	h4	d4
	mm	mm	mm	mm	mm	mm	mm	mm
08ASS	12.700	23.00	12.700	25.4	35.60	1.50	7.90	3.4
10ASS	15.875	28.80	15.875	31.8	46.80	2.03	10.30	5.5
12ASS	19.050	34.65	19.050	38.1	56.40	2.42	11.90	5.5
16ASS	25.400	45.90	25.400	50.8	73.20	3.25	15.90	6.8
20ASS	31.750	57.65	31.750	63.5	89.80	4.00	19.80	9.2
08BSS	12.700	24.00	12.700	25.4	36.40	1.60	8.90	4.3
10BSS	15.875	29.58	15.875	31.8	44.60	1.70	10.31	5.3
12BSS	19.050	34.05	19.050	38.1	52.40	1.85	13.46	6.4
16BSS	25.400	46.40	25.400	50.8	72.60	3.10	15.88	6.4
20BSS	31.750	58.10	31.750	63.0	100.50	3.50	19.80	9.0