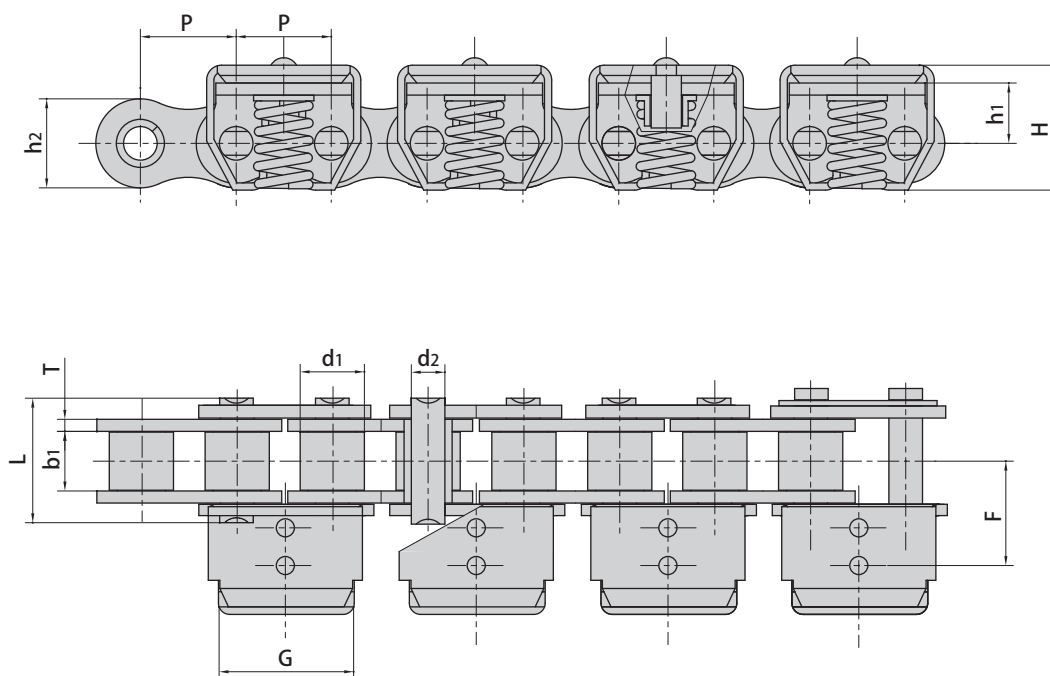


Roller chains for folio transport (Gripper)



| Donghua Chain No. | Pitch | Roller diameter | Width between inner plates | Pin diameter | Pin length | Attachment dimension | | | | | Ultimate tensile strength | Weight per meter |
|-------------------|-------|-----------------|----------------------------|--------------|------------|----------------------|------|-----|------|-----|---------------------------|------------------|
| | P | d1 max | b1 min | d2 max | L max | h2 max | F | h1 | H | T | Q min | q |
| | mm | mm | mm | mm | mm | mm | mm | mm | mm | mm | kN/lbf | kg/m |
| 08BSSF32 | 12.7 | 8.51 | 7.75 | 4.45 | 16.7 | 11.8 | 13.8 | 8.0 | 16.5 | 1.6 | 12.0/2727 | 1.14 |