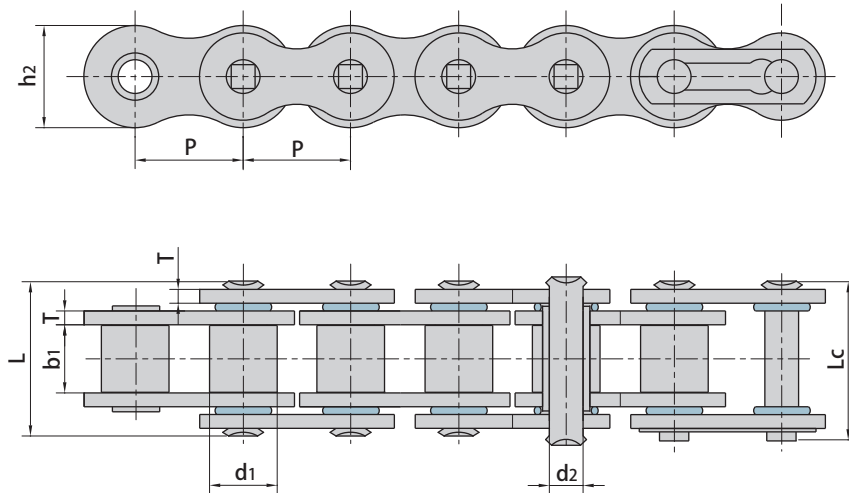
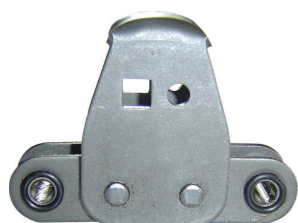
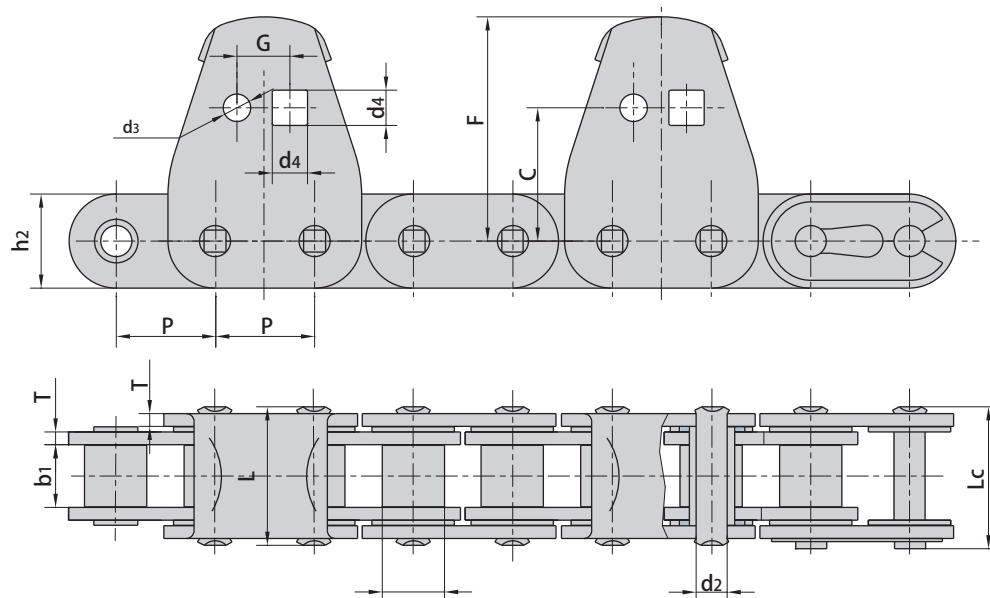


O-Ring chains



Donghua Chain No.	Pitch	Roller diameter	Width between inner plates	Pin diameter	Pin length		Plate depth	Plate thickness	Ultimate tensile strength	Average tensile strength	Weight per meter
	P	d1 max	b1 min	d2 max	L max	Lc max	h2 max	T max	Q min	Qo	q
	mm	mm	mm	mm	mm	mm	mm	mm	kN/lbf	kN	kg/m
40 OR	12.700	7.95	7.85	3.96	18.3	19.6	12.00	1.50	14.1/3205	17.50	0.67
50 OR	15.875	10.16	9.40	5.08	23.1	24.8	15.09	2.03	22.2/5045	29.40	1.19
60 OR	19.050	11.91	12.57	5.94	28.5	30.4	18.00	2.42	31.8/7227	41.50	1.62
60HT OR	19.050	11.91	12.57	5.94	31.7	33.2	18.00	3.25	55/12500	58.00	1.96
80 OR	25.400	15.88	15.75	7.92	35.6	37.3	24.00	3.25	56.7/12886	69.40	2.70
100 OR	31.750	19.05	18.95	9.53	43.3	47.0	30.00	4.00	88.5/20114	109.20	3.91
120 OR	38.100	22.23	25.22	11.11	54.0	57.5	35.70	4.80	127.0/28864	156.30	6.34
08B OR	12.700	8.51	7.75	4.45	18.8	19.9	11.80	1.60	18.0/4091	19.40	0.74

O-Ring chains



Donghua Chain No.	P	C	F	G	d3	d4
	mm	mm	mm	mm	mm	mm
C80F3 OR	25.4	34	57.2	13.5	7	9

Donghua Chain No.	Pitch	Roller diameter	Width between inner plates	Pin diameter	Pin length		Plate depth	Plate thickness	Ultimate tensile strength	Average tensile strength
	P	d1 max	b1 min	d2 max	L max	Lc max	h2 max	T max	Q min	Qo
	mm	mm	mm	mm	mm	mm	mm	mm	kN/lbf	kN
C80F3 OR	25.4	15.88	15.75	7.92	36.6	38.7	24.0	3.25	56.7/12886	69.4