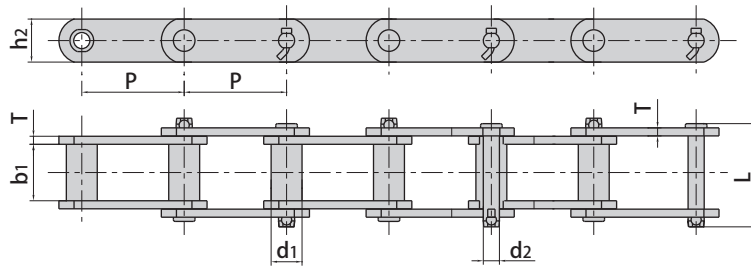
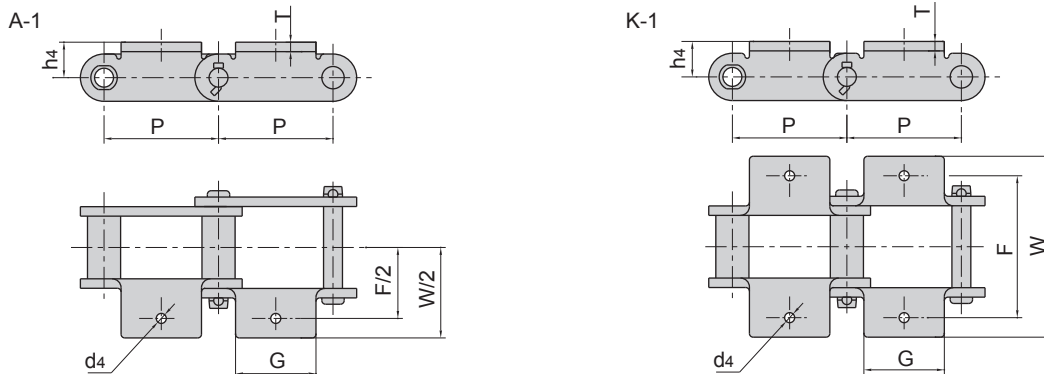


## Engineering steel bush chains



ANSI Chain No.	Donghua Chain No.	Pitch	Bush diameter	Width between inner plates	Pin diameter	Pin length	Plate depth	Plate thickness	Ultimate tensile strength	Average tensile strength	Weight per meter
		P	d1 max	b1 min	d2 max	L max	h2 max	T max	Q min	Q0	q
		mm	mm	mm	mm	mm	mm	mm	kN/lbf	kN	kg/m
S102B		101.60	25.40	54.10	15.88	111.3	38.10	9.7	160.0/35993	176.0	10.40
S110		152.40	32.00	54.10	15.88	111.3	38.10	9.7	160.0/35993	176.0	9.80
S111		120.90	36.60	66.80	19.05	131.2	50.80	9.7	214.0/48141	235.4	15.90
S131		78.11	32.00	33.50	15.88	90.5	38.10	9.7	160.0/35993	176.0	11.60
S150		153.67	44.70	84.30	25.40	164.6	63.50	12.7	378.0/85034	416.0	25.70
S188		66.27	22.40	26.90	12.70	68.6	28.40	6.4	102.0/22946	112.2	5.60
S856		152.40	44.40	76.20	25.40	154.9	63.50	12.7	365.0/82110	401.5	25.00
S857		152.40	44.40	76.20	25.40	154.9	82.60	12.7	432.0/97182	475.2	32.00
S859		152.40	60.40	95.30	31.75	188.5	101.60	16.0	690.0/155221	759.0	55.90
S864		177.80	60.40	95.30	31.75	188.5	101.60	16.0	690.0/155221	759.0	51.80
	S102.5	102.36	34.93	57.15	19.05	115.0	44.45	9.5	214.0/48141	235.4	14.09
	S110F1	152.40	31.75	53.48	15.88	111.0	44.45	9.5	160.0/35993	176.0	10.50
	S111F1	120.90	36.51	66.68	19.05	125.0	50.80	9.5	214.0/48141	235.4	15.46
	S150F1	153.67	44.50	80.60	28.60	152.0	80.00	12.0	900.0/202328	990.0	29.87

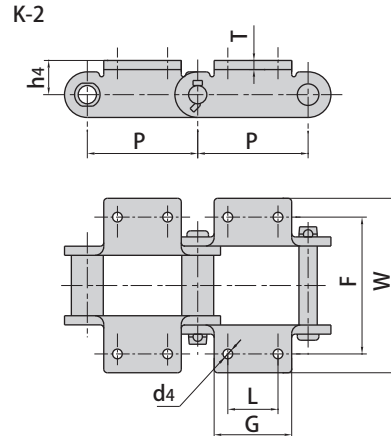
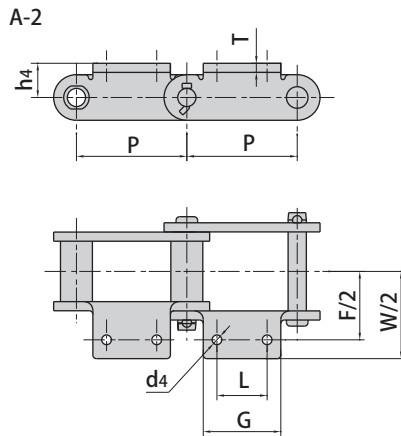
## Engineering steel bush chain attachments



ANSI Chain No.	P	G	F	W	h4	d4	T
	mm	mm	mm	mm	mm	mm	mm
*S102B	101.60	77.0	121.0	180.8	25.4	10.2	9.7
S131	78.11	73.9	104.6	157.0	25.4	13.5	9.7
S188	66.27	54.6	95.2	131.6	20.6	10.2	6.4

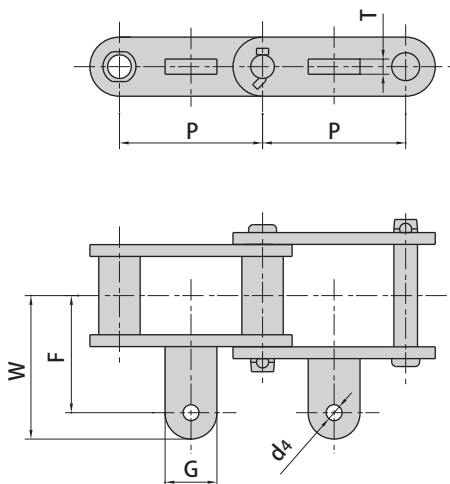
\*S102B only with A-1 attachments

## Engineering steel bush chain attachments



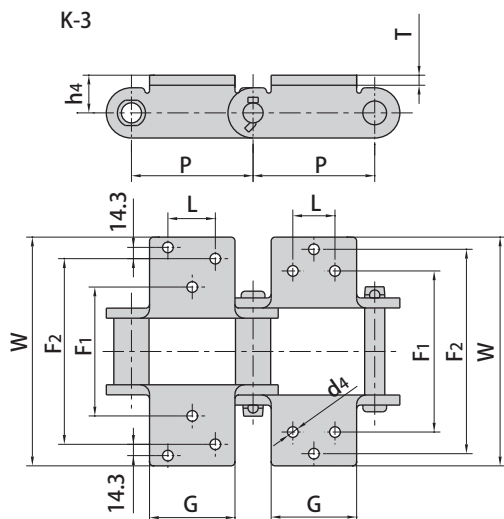
ANSI Chain No.	Donghua Chain No.	P	L	G max	F	W max	h4	d4 min	T
		mm	mm	mm	mm	mm	mm	mm	mm
S102B		101.60	44.50	69.9	134.90	180.80	25.40	10.20	9.7
S110		152.40	44.50	89.6	134.90	180.80	25.40	10.20	9.7
S111		120.90	58.70	92.7	158.80	210.80	38.10	13.50	9.7
S131		78.11	38.10	73.9	104.60	157.00	25.40	13.50	9.7
S150		153.67	69.90	108.7	190.50	249.40	47.80	13.50	12.7
S188		66.27	31.80	54.6	106.40	131.60	20.60	8.60	6.4
S856		152.40	63.50	103.1	184.20	241.30	47.80	16.80	12.7
	S102.5	102.36	44.45	69.0	136.53	163.51	28.58	9.50	9.5
	S110F1	152.40	44.45	88.9	134.94	165.10	27.78	10.30	9.5
	S111F1	120.90	58.70	87.5	158.75	196.85	38.10	13.70	9.5
	S102.5A2F1	102.36	44.45	80.0	134.60	172.00	28.58	14.50	9.5
	S856F3	152.40	57.15	108.0	160.30	215.90	47.80	13.49	12.7
	S110F3	152.40	44.50	76.2	134.90	161.00	25.40	10.20	9.7
	S188F6	66.27	31.75	54.6	105.20	129.30	22.30	11.11	6.4
	S856F5	152.40	63.50	180.0	184.15	241.00	12.70	18.00	12.7

A-22



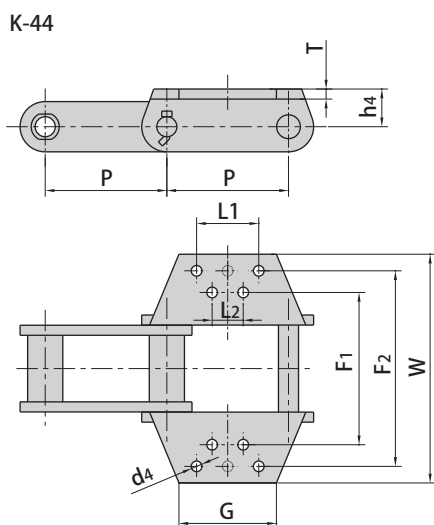
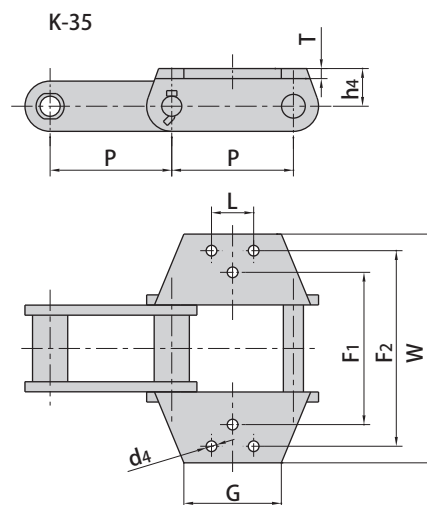
ANSI Chain No.	Donghua Chain No.	P	G	F	W	d4	T
		mm	mm	mm	mm	mm	mm
S188		66.27	49.2	45.2	61.2	10.2	10.4
	S188A22F1	66.27	32.0	45.2	61.2	12.0	6.4

## Engineering steel bush chain attachments



ANSI Chain No.	P	G	L	F1	F2	W	h4	d4	T
	mm	mm	mm	mm	mm	mm	mm	mm	mm
S150	153.67	109.5	69.9	190.5	292.1	347.5	47.8	13.5	13.5
S856	152.40	152.4	69.9	166.6	277.9	349.3	47.8	13.5	13.5

ANSI Chain No.	P	G	L	F1	F2	W	h4	d4	T
	mm	mm	mm	mm	mm	mm	mm	mm	mm
S856	152.4	146.1	63.5	184.2	298.5	349.3	47.8	16.8	13.5



ANSI Chain No.	P	G	L1	L2	F1	F2	W	h4	d4	T
	mm	mm	mm	mm	mm	mm	mm	mm	mm	mm
S857	152.4	146.1	88.9	88.9	177.8	304.8	355.6	63.5	13.5	13.5
S859	152.4	146.1	114.3	69.9	228.6	330.2	381.0	76.2	16.8	13.5
S864	177.8	146.1	139.7	95.3	228.6	330.2	381.0	76.2	16.8	13.5