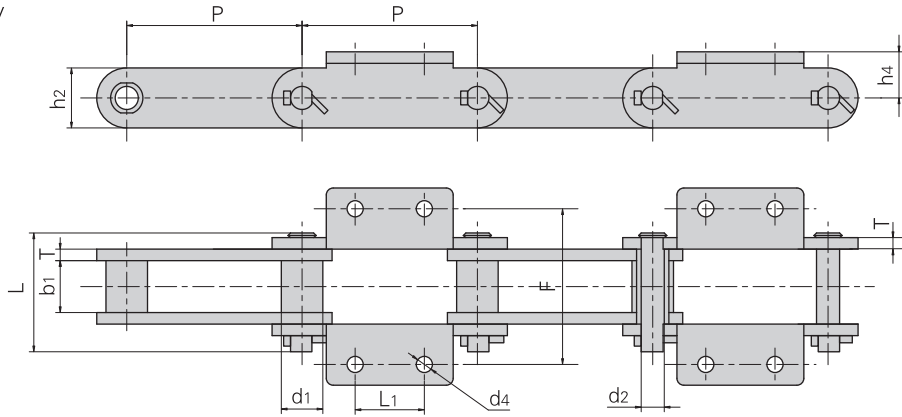
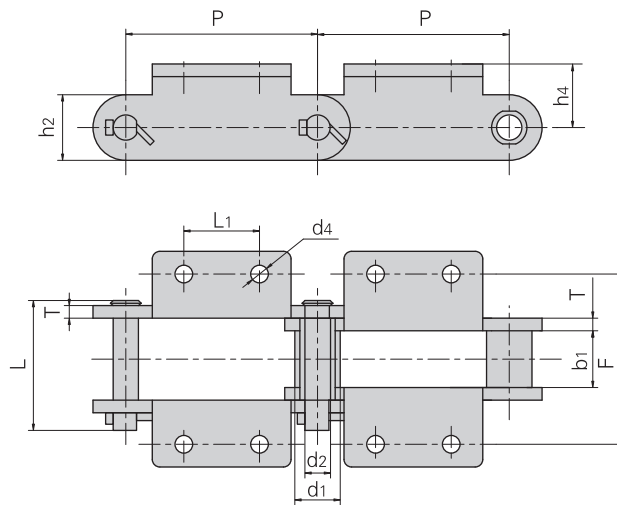


## Conveyor chain with attachments

For cement industry



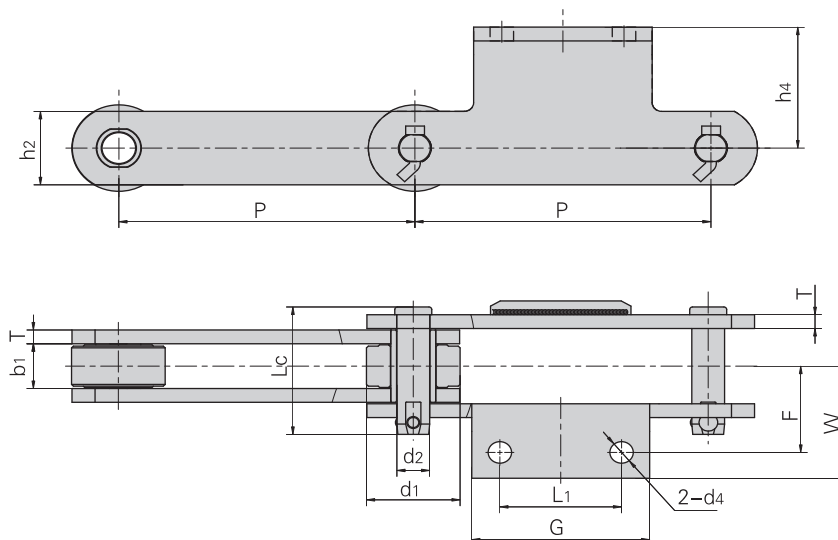
Conveyor type	Donghua Chain No.	Pitch	Roller diameter	Width between inner plates	Pin diameter	Pin length	Plate depth	Plate thickness	Attachment dimension				Ultimate tensile strength
		P	d1	b1	d2	L	h2	T	L1	F	h4	d4	Q <sub>min</sub> kN/lbf
		mm	mm	mm	mm	mm	mm	mm	mm	mm	mm	mm	
DS400	P152F123	152.4	36.0	36.5	15.5	90.0	50.0	8.0	60	120	38	14	275/61863
DS640	P250F44	250.0	48.5	57.6	22.2	120.0	75.0	10.0	125	160	60	12	560/125976



Conveyor type	Donghua Chain No.	Pitch	Roller diameter	Width between inner plates	Pin diameter	Pin length	Plate depth	Plate thickness	Attachment dimension				Ultimate tensile strength
		P	d1	b1	d2	L	h2	T	L1	F	h4	d4	Q <sub>min</sub> kN/lbf
		mm	mm	mm	mm	mm	mm	mm	mm	mm	mm	mm	
SDB400	P250F45	250.0	36.0	40.0	20.0	89.0	65.0	8.0	85	130	55	14.0	450/101230
SDB500 (540)	P250F46	250.0	36.0	44.0	21.0	94.0	85.0	8.0	85	132	55	18.5	500/112479
SDB630 (600)	P250F47	250.0	45.0	52.0	30.0	128.0	115.0	10.0	85	162	75	18.5	1000/224957

## Conveyor chain with attachments

For combined stacker / reclaimers



Donghua Chain No.	Pitch	Roller diameter	Width between inner plates	Pin diameter	Pin length	Plate depth	Plate thickness	Ultimate tensile strength	Average tensile strength
	P mm	d1 max mm	b1 max mm	d2 max mm	Lc max mm	h2 mm	T mm	Q min kN/lbf	Q0 kN
P315F11	315	100.0	52	35	148	85	16	800/179966	900
P250F74	250	76.5	40	24	117	60	12	400/89983	450

Donghua Chain No.	P	L1	G	F	W	h4	d4
	mm	mm	mm	mm	mm	mm	mm
P315F11	315	130	190	100.0	130.0	140	25
P250F74	250	100	160	83.5	111.5	149	21

