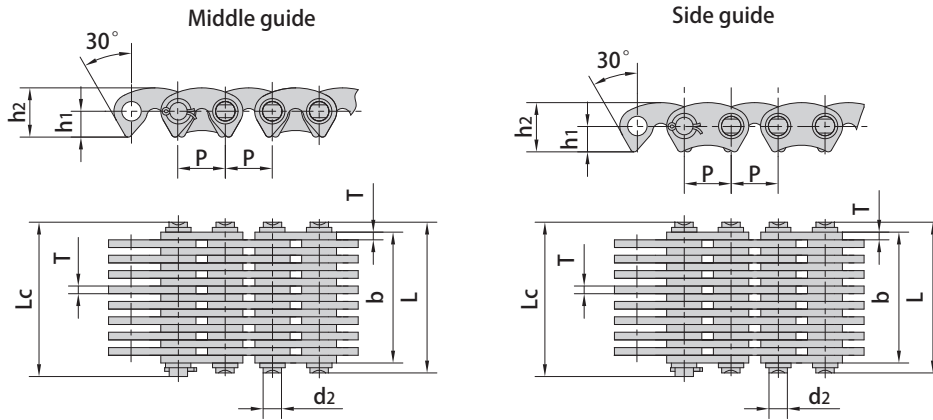


# Inverted tooth chains

Flank contact silent chains

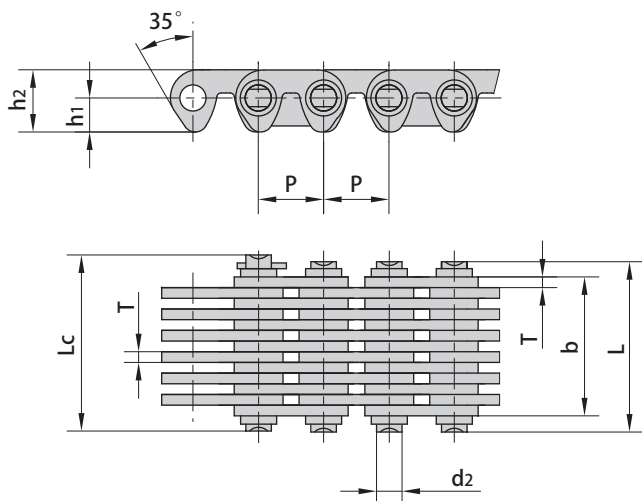


GB Chain No.	Pitch	Chain width	Pin diameter	Pin length		Distance from hole center to tooth	Plate depth	Plate thickness	Guide type	Number of plates	Ultimate tensile strength	Average tensile strength	Weight per meter
	P mm	b min mm	d2 max mm	L max mm	Lc max mm	h1 mm	h2 max mm	T max mm			Q min kN/lbf	Q0 kN	q kg/m
SC3	9.525	13.5	3.95	18.5	20.0	5.3	10.0	1.5	Outside	9	10.0/2272	11.2	0.60
		16.5		21.5	23.0				Outside	11	12.5/2840	14.0	0.73
		19.5		24.5	26.0				Outside	13	15.0/3409	16.8	0.85
		22.5		27.5	29.0				Outside	15	17.5/3997	19.6	1.00
		28.5		33.5	35.0				Inside	19	22.5/5114	25.2	1.26
SC4	12.700	19.5	5.08	24.5	26.0	7.0	13.4	1.5	Outside	13	23.4/5318	26.2	1.15
		22.5		27.5	29.0				Outside	15	27.4/6227	30.6	1.33
		25.5		30.5	32.0				Outside	17	31.3/7114	35.0	1.50
		28.5		33.5	35.0				Inside	19	35.2/8000	39.4	1.68
		34.5		39.5	41.0				Inside	23	43.0/9772	48.1	2.04
		40.5		45.5	47.0				Inside	27	50.8/11364	56.8	2.39
		46.5		51.5	53.0				Inside	31	58.6/13318	65.6	2.74
52.5	57.5	59.0	Inside	35	66.4/15091	74.3	3.10						
SC5	15.875	30.0	5.92	37.0	38.2	8.7	16.7	2.0	Inside	15	45.6/10364	50.6	2.21
		38.0		45.0	46.2				Inside	19	58.6/13318	65.0	2.80
		46.0		53.0	54.2				Inside	23	71.7/16295	79.5	3.39
		54.0		61.0	62.4				Inside	27	84.7/19250	94.0	3.99
		62.0		69.0	70.4				Inside	31	97.7/22204	108.4	4.58
SC6	19.050	38.0	6.90	45.0	46.5	10.5	20.0	2.0	Inside	19	70.0/15909	77.6	3.37
		46.0		53.0	54.5				Inside	23	86.0/19545	95.4	4.08
		54.0		61.0	62.8				Inside	27	102.0/23182	113.2	4.78
		62.0		69.0	70.8				Inside	31	117.0/26591	129.8	5.50
		70.0		77.0	78.8				Inside	35	133.0/30227	147.6	6.20
SC8	25.400	45.0	8.90	52.0	53.5	14.0	26.7	3.0	Inside	15	111.0/25227	123.2	5.31
		51.0		58.0	59.5				Inside	17	125.0/28409	138.7	6.02
		57.0		64.0	65.5				Inside	19	141.0/32045	156.5	6.37
		69.0		76.2	77.7				Inside	23	172.0/39091	190.9	8.15
		81.0		88.2	89.7				Inside	27	203.0/46163	225.3	9.57
SC10	31.750	57.0	10.84	66.6	69.6	17.5	33.4	3.0	Inside	19	165.0/37500	183.1	8.42
		69.0		78.6	81.6				Inside	23	201.0/45681	223.1	10.19
		81.0		90.6	93.6				Inside	27	237.0/53863	263.2	11.96
		93.0		102.6	105.6				Inside	31	273.0/62045	303.0	13.73
		105.0		114.6	117.6				Inside	35	310.0/70454	341.0	15.50
117.0	126.6	129.6	Inside	39	346.0/78636	380.6	17.27						

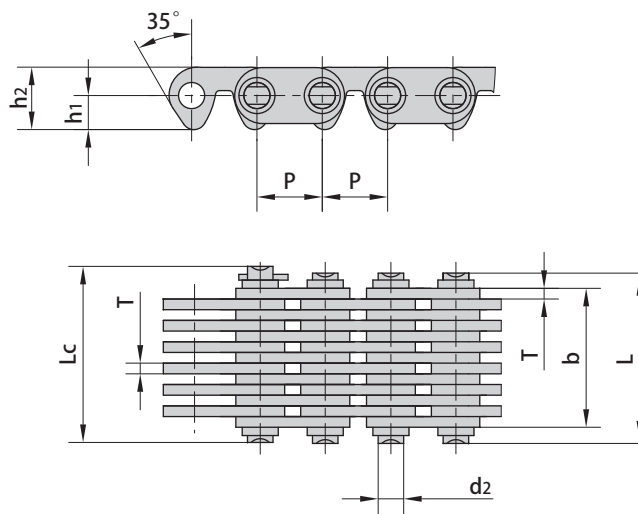
## Inverted tooth chains

Crotch contact silent chains

Middle guide



Side guide



Donghua Chain No.	Pitch	Chain width	Pin diameter	Pin length		Distance from hole center to tooth	Plate depth	Plate thickness	Guide type	Number of plates	Ultimate tensile strength	Average tensile strength	Weight per meter
	P mm	b min mm	d2 max mm	L max mm	Lc max mm	h1 mm	h2 max mm	T max mm			Q min kN/lbf	Q0 kN	q kg/m
C4-120	12.7	19.5	5.08	24.5	26.0	6.62	12.1	1.5	Inside	13	20.0/4545	22.2	1.20
C4-123		22.5		27.5	29.0				Inside	15	23.0/5227	25.5	1.37
C4-129		28.5		33.5	35.0				Inside	19	28.5/6477	31.6	1.72
C4-132		31.5		36.5	38.0				Inside	21	31.5/7159	34.9	1.89
C4-138		37.5		42.5	44.0				Inside	25	38.0/8636	42.1	2.22
C4-150		49.5		54.5	56.0				Inside	33	50.0/11363	55.5	2.90
C4-320	12.7	19.5	5.08	24.5	26.0	6.62	12.1	1.5	Outside	13	20.0/4545	22.2	1.21
C4-323		22.5		27.5	29.0				Outside	15	23.0/5227	25.5	1.38
C4-329		28.5		33.5	35.0				Outside	19	28.5/6477	31.6	1.73
C4-332		31.5		36.5	38.0				Outside	21	31.5/7159	34.9	1.90
C4-338		37.5		42.5	44.0				Outside	25	38.0/8636	42.1	2.23