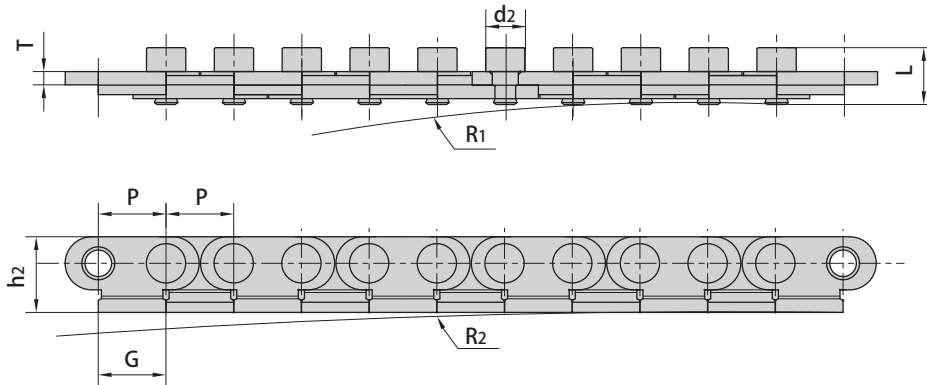
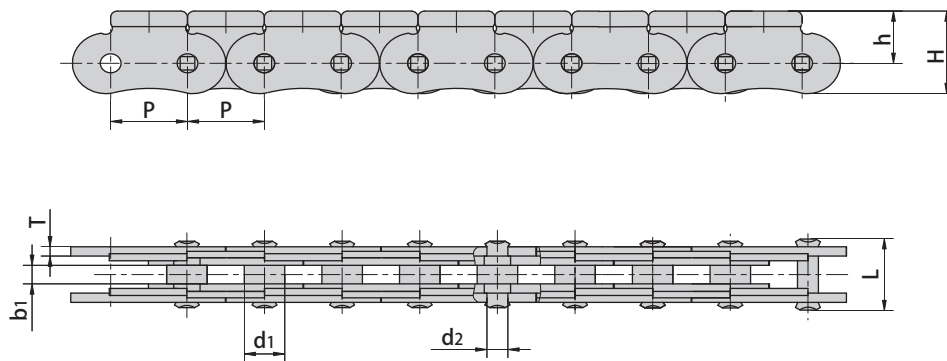


Anti-sidebow chains for pushing window

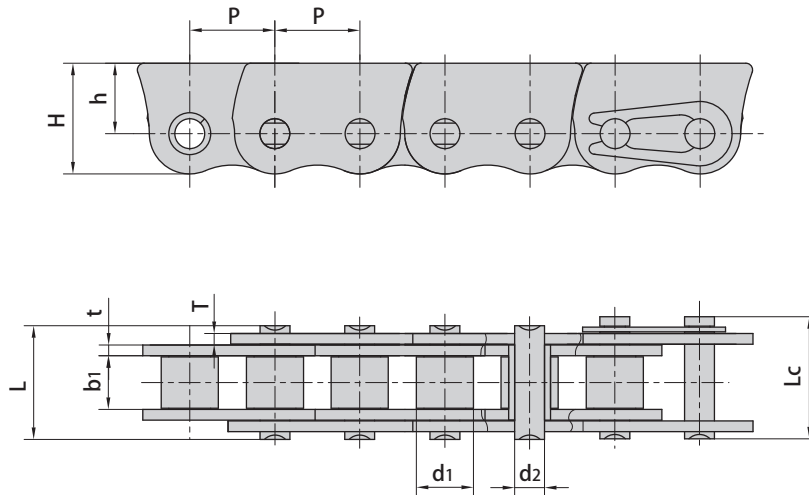


Donghua Chain No.	Pitch	Pin diameter	Pin length	Plate dimension			Side bow radius		Weight per meter
	P	d2 max	L	h2 max	G max	T max	R1	R2	q
	mm	mm	mm	mm	mm	mm	mm	mm	kg/m
P12.75SB	12.75	7.4	10.65	14.25	12.8	2.5	500~800	1000	0.69
P12.75SBF1	12.75	7.4	11.00	14.25	12.8	2.5	500~800	1000	1.08



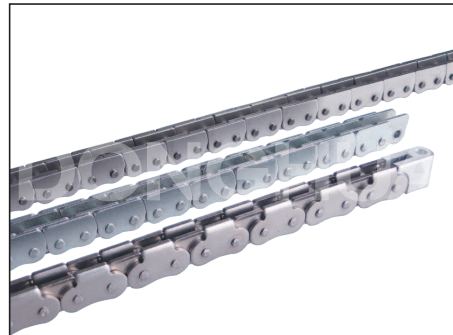
Donghua Chain No.	Pitch	Roller diameter	Width between inner plates	Pin diameter	Pin length	Plate dimension			Ultimate tensile strength
	P	d1 max	b1	d2 max	L max	H max	h	T	Q min
	mm	mm	mm	mm	mm	mm	mm	mm	kN
P11.5SS	11.5	6.00	3.00	3.00	10.8	13.5	8.5	1.5/1.5	5.5

Anti-sidebow chains for pushing window

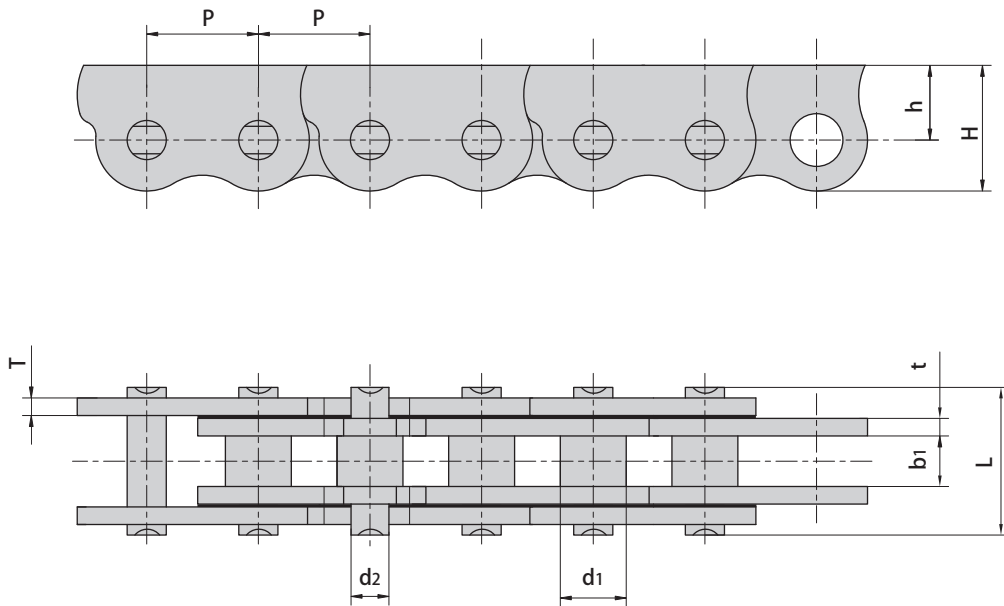


Donghua Chain No.	Pitch	Roller diameter	Width between inner plates	Pin diameter	Pin length		Plate dimension			Ultimate tensile strength	Weight per meter
	P	d1 max	b1 min	d2 max	L max	Lc max	H max	h	t/T max	Q min	q
	mm	mm	mm	mm	mm	mm	mm	mm	mm	kN	kg/m
06BF33SS	9.525	6.35	5.72	3.28	13.15	14.1	12.38	7.88	1.30	6.2	0.63
06BF34	9.525	6.35	3.80	3.28	10.00	-	12.38	7.88	1.04	7.0	0.47
*06CF22	9.525	5.08	4.77	3.58	11.60	-	12.86	8.38	1.30	7.9	0.51
08BF6	12.700	7.95	7.85	3.96	16.60	17.8	17.00	11.00	1.50	13.8	0.91
415BF4	12.700	7.75	4.88	4.09	16.40	17.8	17.00	11.00	1.3/3.1	12.0	1.07
08BSSF20	12.700	8.51	7.75	4.45	16.70	18.2	16.50	10.50	1.60	12.0	1.06
08BSSF74	12.700	8.51	7.75	4.45	18.80	-	15.50	9.70	1.85	13.0	1.19
P12.7F4	12.700	7.50	5.50	4.45	15.60	-	14.30	8.50	2.03	15.0	0.99

*Bush chain: d1 in the table indicates the external diameter of the bush.



Anti-sidebow chains for pushing window



Donghua Chain No.	Pitch	Roller diameter	Width between inner plates	Pin diameter	Pin length	Plate dimension			Ultimate tensile strength
	P	d1 max	b1	d2 max	L max	H max	h	t/T	Q min
	mm	mm	mm	mm	mm	mm	mm	mm	kN
06CF31SS	9.525	5.08	4.5	3.58	11.5	12.38	7.88	1.30	5.2
P12.7F3SS	12.700	7.50	5.5	4.45	15.6	14.30	8.50	2.03	12.0